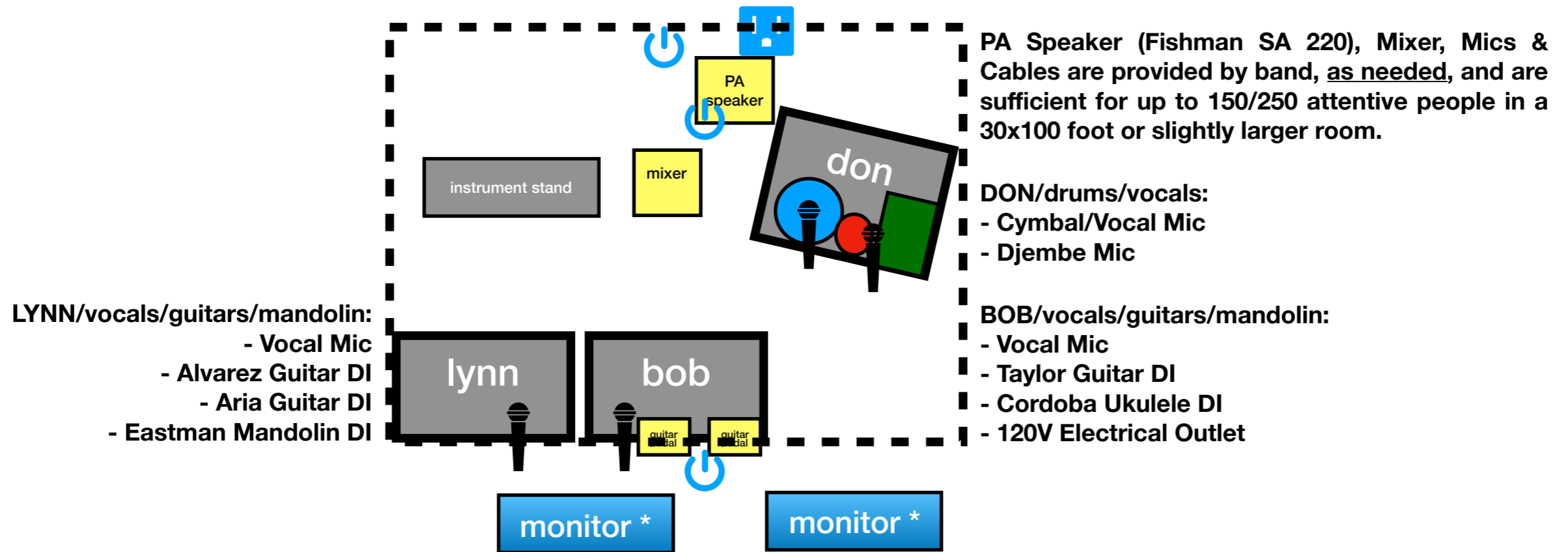


RAGGEDY EDGE

3-PIECE (W/DRUMS) FLOOR STAGE PLOT AND RIDER



REQUIREMENTS:

- Approximately 12 feet by 8 feet stage. Bigger is better.
- 120 volt electric outlet
- * If sound provided by venue:
 - Monitor speakers (*unless sound is via Bose or Fishman)
 - 5** instrument direct inputs (DI's)
 - 2 vocal mics, 2 drum mics

APPRECIATED:

- Drinking water on stage
- Dressing room with mirror
- Something to eat after the show

** For smaller shows we can get by with 3 DI's; or we can provide a small mixer to plug instruments into and run into one DI. Also, if provided PA mixer is close to stage, we may only need channels